

Product Information



Patented
World Innovation

Schlaf-Tablet®

lattoflex

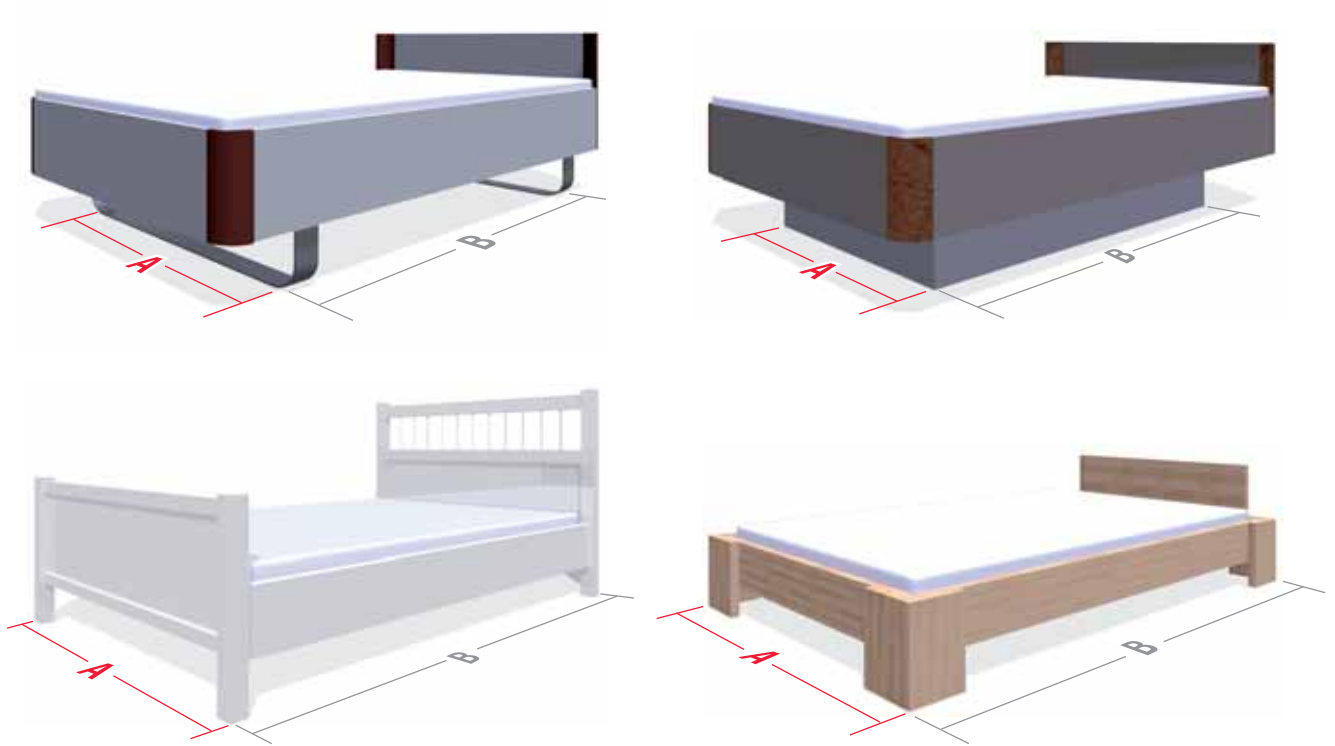
Determine the right format

In order to select the right Schlaf-Tablet[®], you need the following two dimensions:

Dimension A: transverse spacing distance

Dimension B: longitudinal spacing distance

Measured in each case from outer edge of foot to outer edge of foot



The right Schlaf-Tablet[®] can be easily determined using the dimensions A and B and the following table.

Eight types are available for selection:

up to max. 152 cm in the transverse direction (**Dimension A**) and 242 cm in the longitudinal direction (**Dimension B**).

Typ	Dimension A	Dimension B
80 S 80 L	up to 77 cm	120 to 170 cm 171 to 242 cm
105 S 105 L	78 cm to 102 cm	120 to 170 cm 171 to 242 cm
120 S 120 L	103 cm to 117 cm	120 to 170 cm 171 to 242 cm
155 S 155 L	118 cm to 152 cm	120 to 170 cm 171 to 242 cm

An all-round safety spacing distance of 1.5 cm from the bed feet to the outer edge of the board has already been taken into account in the dimension data.

Textile cover available as an accessory.

The Technique

Please note the following details when advising your customer:

Set-up:

- The Schlaf-Tablet® requires a level, horizontal floor.
- An all-round minimum spacing distance of 5 cm to the walls and the furniture is necessary in order to ensure that the Schlaf-Tablet® can swing freely.
- The bed is simply placed on the Schlaf-Tablet®. In order to prevent the bed from sliding away, the anti-slip shims included in the scope of delivery are placed under the base surfaces of the bed.
- Max. load-bearing capacity: 500 kg

Operation:

Locking in place: the Schlaf-Tablet® is locked in place by pressing down the foot pedal. When locking the Schlaf-Tablet®, move the bed slightly in order to let the locking device engage easily.

Unlocking: the Schlaf-Tablet® is released by pressing down the foot pedal again. Here, too, this operating step is made easier by slightly moving the bed.



Lock in place and unlock using your foot



swinging



locked in place

Accessories

Textile cover:

In order to round off the overall appearance, the connecting bars can be hidden, upon request, with a textile cover. This textile cover can be ordered as an accessory and be retrofitted at any time. Please specify the type of your Schlaf-Tablet® when placing your order.

Material: 80% polyamide, 20% elastane
The fabric is washable;
see care labelling



Fig. without cover



Fig. with cover

Type
Textile cover 80 S
Textile cover 80 L
Textile cover 105 S
Textile cover 105 L
Textile cover 120 S
Textile cover 120 L
Textile cover 155 S
Textile cover 155 L

Dimensions

L versions

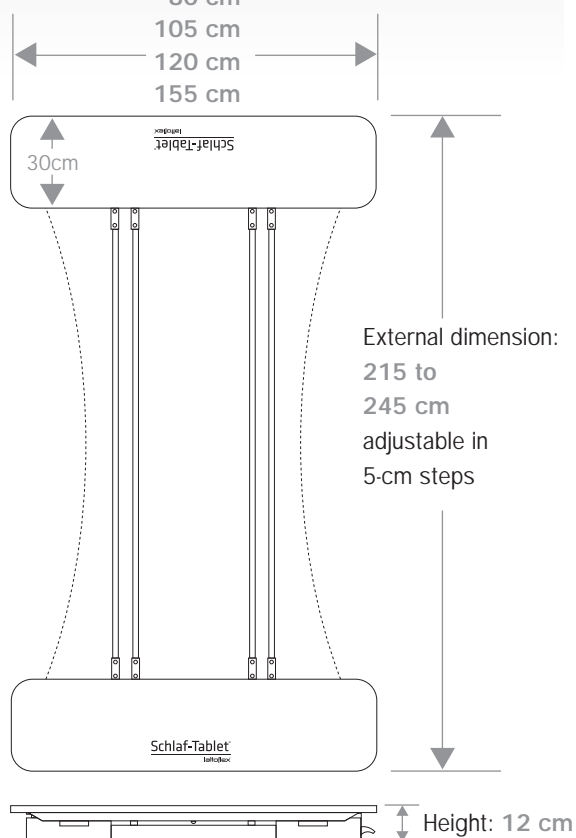
Suitable for most beds:

The **L versions** have longer connecting bars between the individual supporting bases than the S versions.

Length adjustment range: 30 cm in 7 stages.

Width, according to each type:

80 cm
105 cm
120 cm
155 cm



S versions

For special bed solutions:

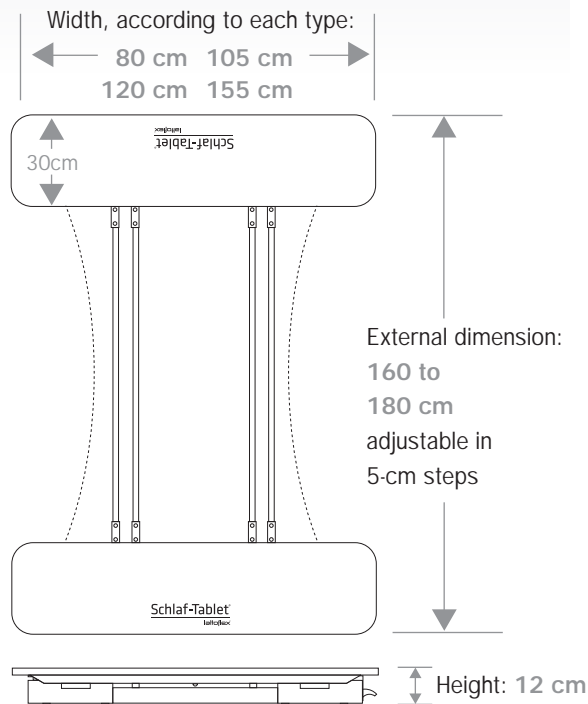
The **S versions** have shorter connecting bars between the individual supporting bases than the L versions.

The S versions are suitable, for example, for beds with small, spring-back bed boxes or with another foot solution under the lying surface.

Length adjustment range: 20 cm in 5 stages.

Width, according to each type:

80 cm 105 cm
120 cm 155 cm



Thomas GmbH+Co. Sitz- und Liegemöbel KG
P.O. Box 1464 · D-27424 Bremervörde
Tel. +49 (0) 4761/979-0 · Fax +49 (0) 4761/979-161
E-Mail: info@lattform.com

www.schlaf-tablet.com

Schlaf-Tablet[®]
lattform